



Clamp-on Vertebrae Cable Management Kit for Desk Instruction Manual



SKU: DESK-AC01P-B



Scan the QR code with your mobile device or follow the link for helpful videos and specifications related to this product.

<https://vivo-us.com/products/desk-ac01p-b>

GET IN TOUCH | Monday-Friday from 7:00am-7:00pm CST



help@vivo-us.com



www.vivo-us.com
Chat live with an agent!



309-278-5303

⚠ WARNING!

If you do not understand these directions, or if you have any doubts about the safety of the installation, please call a qualified technician. Check carefully to make sure there are no missing or defective parts. Improper installation may cause damage or serious injury. Do not use this product for any purpose that is not explicitly specified in this manual and do not exceed weight capacity. We cannot be liable for damage or injury caused by improper mounting, incorrect assembly, or inappropriate use.

⚠ WARNING: CHOKING HAZARD

SMALL PARTS - NOT FOR CHILDREN UNDER 3 YEARS. ADULT SUPERVISION IS REQUIRED.

PACKAGE CONTENTS



A (x1)
Vertebrae



B (x1)
Clamp



C (x1)
Base



S-A (x2)
M4x5 Screw



M-A (x2)
M5x16 Screw

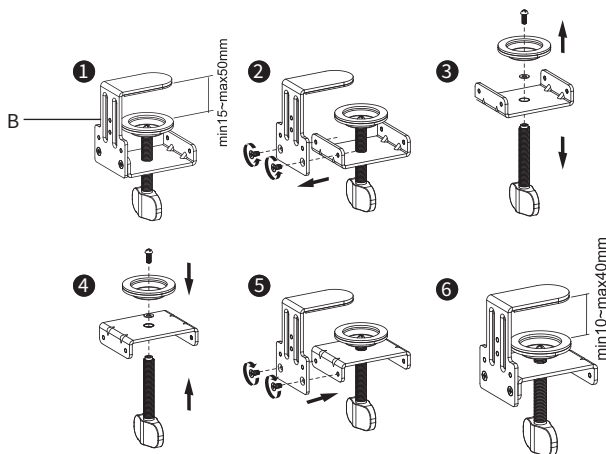
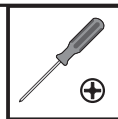
TOOLS NEEDED



ASSEMBLY STEPS

STEP 1

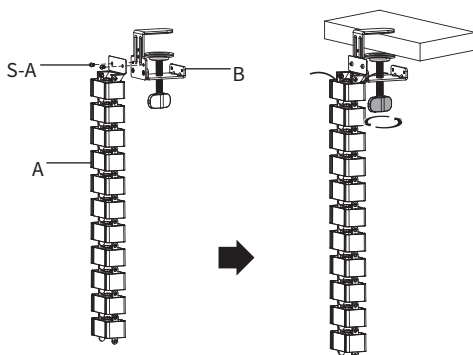
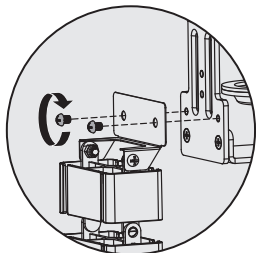
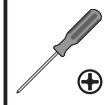
For thinner desktops (<1.5" (40mm)), disassemble Clamp (B) as shown below, flip the bottom bracket, and reassemble using a Phillips screwdriver.



STEP 2

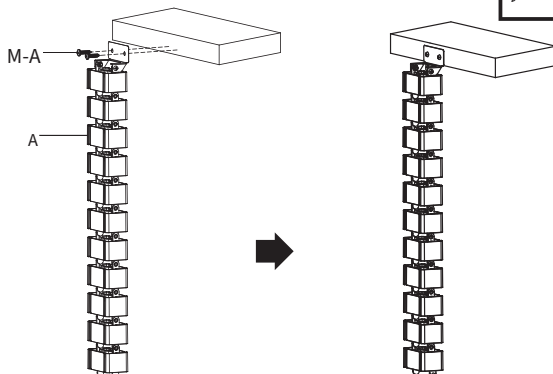
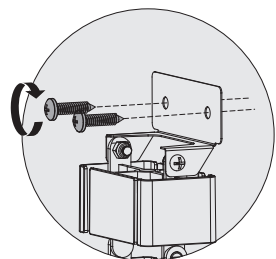
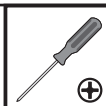
OPTION A: Clamp Mounting

Mount Vertebrae (A) to Clamp (B) using M4x5 Screws (S-A) and a Phillips screwdriver.



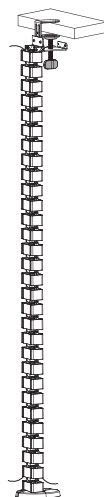
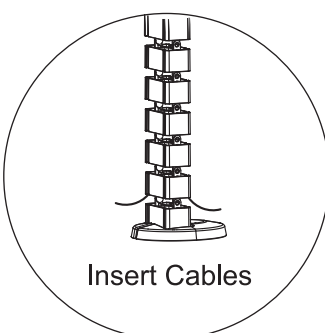
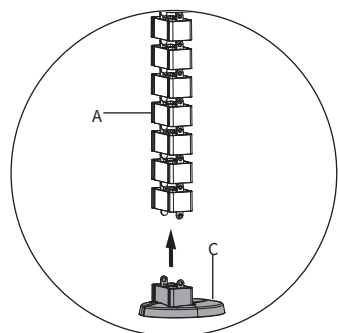
OPTION B: Screw Mounting


Mount Vertebrae (A) to the edge of the desktop using M5x16 Screws (M-A) and a Phillips screwdriver.



STEP 3

Assemble Base (C) to Vertebrae (A). Add or remove any sections to adjust the length, and manage cables.



 Love your new VIVO setup and want to share?
Tag us in your photo! **@vivo_us**

LAST UPDATED: 11/12/2021
REV1



Open **Monday - Friday 7:00am - 7:00pm** CST,
our dedicated support team can offer immediate assistance with rapid response times. If any parts are received damaged or defective, please contact us. We are happy to replace parts to ensure you have a fully functioning product.



309-278-5303

AVG. RESOLUTION TIME (*within office hrs*): **5M 4S**



www.vivo-us.com
Chat live with an agent!

AVG. RESOLUTION TIME (*within office hrs*): **< 15 M**



help@vivo-us.com

AVG. RESPONSE TIME (*within office hrs*): **1HR 8M**

- 23% within < 15m
- 38% within < 30m
- 61% within < 1hr
- 83% within < 2hr
- 92% within < 3hr

FOR MORE VIVO PRODUCTS, CHECK OUT OUR WEBSITE AT: www.vivo-us.com